

MODEL L1SP

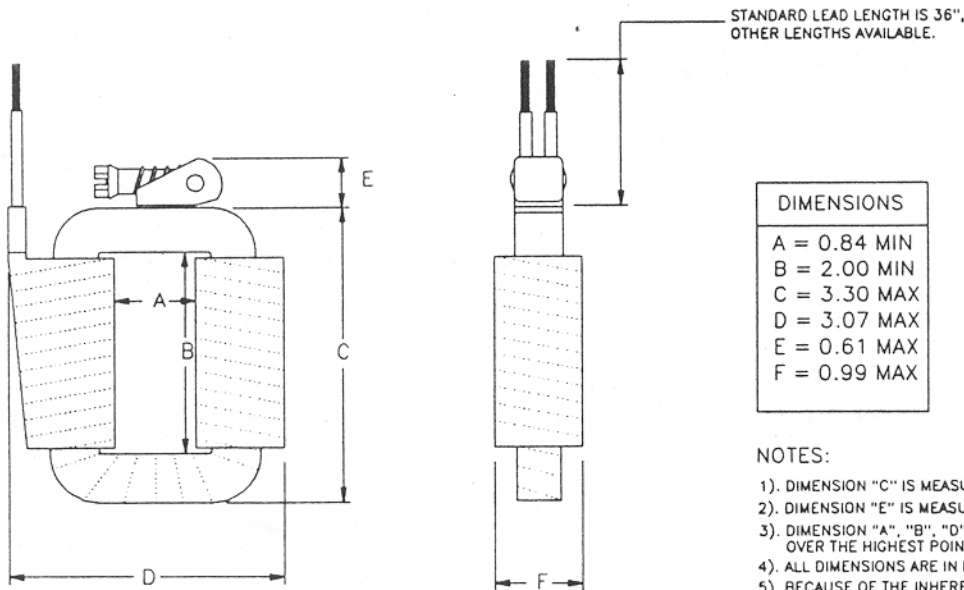
SPLIT CORE CURRENT TRANSFORMER

0.84" X 2.00"

FEATURES

- CT can be split apart and reassembled onto the primary conductor without interrupting service. Note: Safety Precautions must be observed.
- Conforms to UL 1244, ANSI C57.13, and applicable IEC standards.
- Frequency range is 50 – 400 HZ. Insulation Class is .6 KV BIL 10 KV.
- Leads are 16 AWG UL 1015 PVC, 105C
- Thermal Rating Factor is 1.33 @ 30C.
- Secondary is available with 1A rating.
- Other primary current ratings, up to 400A are available. Contact factory.
- Mounting bracket assemblies available. Contact factory.

PART NUMBER	RATIO	ACCURACY @ 60HZ		NOMINAL SECONDARY WINDING RESISTANCE (OHMS)	NOMINAL RELAY ACCURACY AT 20X OVERCURRENT
		+/- %	BURDEN (VA)		
L1SP--100--00	100:5A	2	0.8	.04	—
L1SP--150--00	150:5A	1	0.8	.06	—
L1SP--200--00	200:5A	1	1.5	.08	—
L1SP--250--00	250:5A	1	2.5	.10	—
L1SP--300--00	300:5A	1	3.0	.12	—
L1SP--400--00	400:5A	1	5.0	.17	—



DIMENSIONS
A = 0.84 MIN
B = 2.00 MIN
C = 3.30 MAX
D = 3.07 MAX
E = 0.61 MAX
F = 0.99 MAX

- NOTES:
- 1). DIMENSION "C" IS MEASURED OVER THE BAND.
 - 2). DIMENSION "E" IS MEASURED FROM THE TOP OF THE BAND.
 - 3). DIMENSION "A", "B", "D", AND "F" ARE MEASURED OVER THE HIGHEST POINT OF THE APPROPRIATE SURFACE.
 - 4). ALL DIMENSIONS ARE IN INCHES.
 - 5). BECAUSE OF THE INHERENT DESIGN OF THIS TYPE OF CURRENT TRANSFORMER, ACCURACY IS DEFINED PRIMARILY BY THE CARE WITH WHICH THE USER INSTALLS THE DEVICE. IT IS IMPERATIVE THAT ABSOLUTE CLEANLINESS OF THE CORE MATING SURFACES BE MAINTAINED DURING INSTALLATION. ACCURACY LISTED IS GUARANTEED AT TIME OF SHIPMENT AND WITH PROPER INSTALLATION SHOULD BE REALIZABLE IN THE FIELD.