



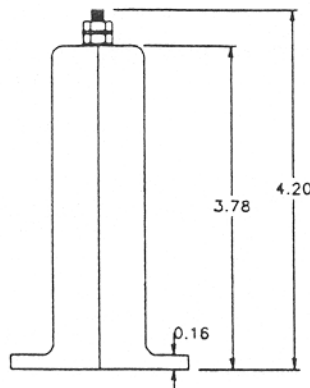
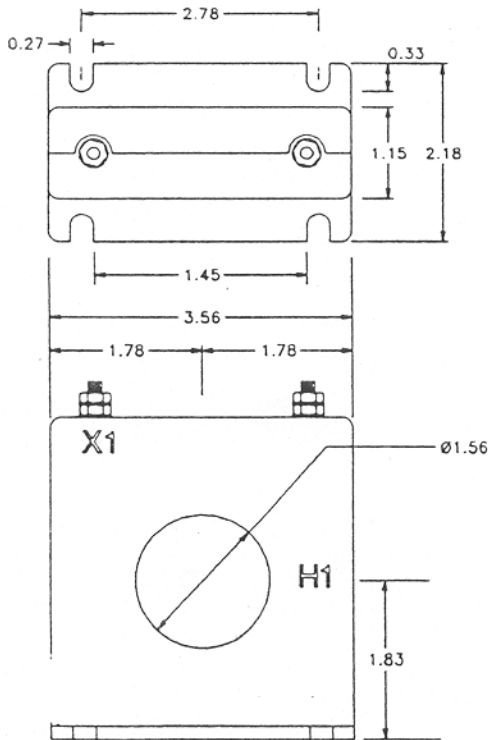
# MODEL L2560 CURRENT TRANSFORMER

1.56" ID

## FEATURES .....

- Used for Ammeter, Wattmeter, Submetering, and Energy Management Applications.
- Frequency 50 – 400 HZ. Insulation Class 0.6 KV BIL 10 KV.
- Molded thermoplastic housing rated 94 V-0.
- Conforms to ANSI C57.13, UL 1244, and applicable IEC standards.
- Secondary is available with 10VAC, and 5VAC rating.
- Termination is 8-32 Studs.
- Available as U.L. Recognized Component File E100575, contact factory for information.
- Other primary current ratings, up to 1200A, are available upon request.

PART NUMBER	RATIO	ANSI ACCURACY CLASS @ 60HZ					RELAY CLASS	BURDEN AT ± 1% ACC (VA)	NOMINAL SECONDARY WINDING RESISTANCE (OHMS)
		B0.1	B0.2	B0.5	B0.9	B1.8			
L2560--100--00	100:5A	2.4	-	-	-	-	-	1.0	0.027
L2560--125--00	125:5A	1.2	2.4	-	-	-	-	3.0	0.034
L2560--150--00	150:5A	1.2	1.2	-	-	-	-	5.0	0.040
L2560--200--00	200:5A	0.6	1.2	2.4	-	-	-	5.0	0.055
L2560--250--00	250:5A	0.6	0.6	1.2	-	-	-	12	0.068
L2560--300--00	300:5A	0.3	0.6	1.2	-	-	-	15	0.081
L2560--400--00	400:5A	0.3	0.3	0.6	1.2	-	C10	20	0.12
L2560--500--00	500:5A	0.3	0.3	0.6	0.6	-	C15	25	0.14
L2560--600--00	600:5A	0.3	0.3	0.6	0.6	-	C10	25	0.14
L2560--800--00	800:5A	0.3	0.3	0.3	0.6	-	C15	30	0.18
L2560--1000--00	1000:5A	0.3	0.3	0.3	0.3	-	C15	35	0.22
L2560--1200--00	1200:5A	0.3	0.3	0.3	0.3	0.6	C20	40	0.27



NOTE: ALL DIMENSIONS IN INCHES