



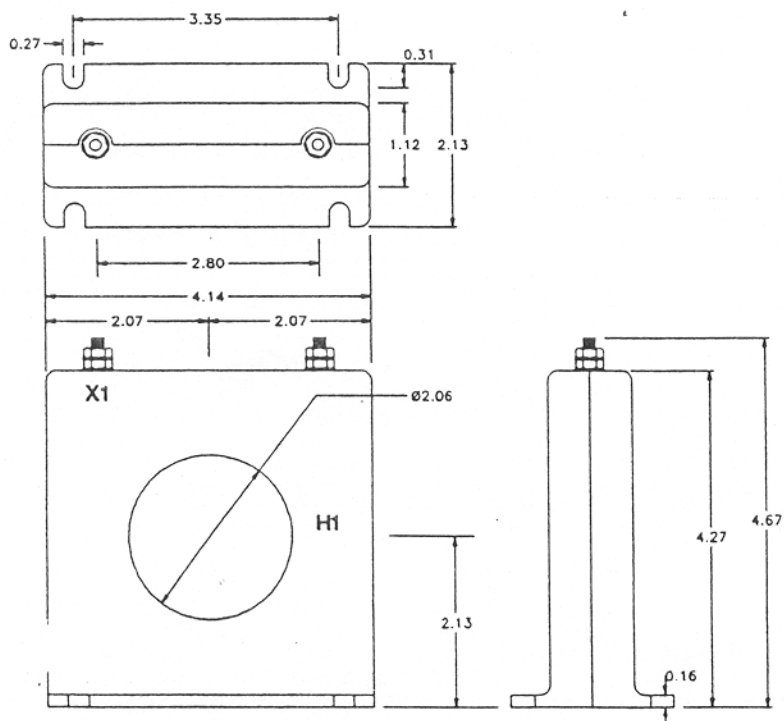
MODEL L2562 CURRENT TRANSFORMER

2.06" ID

FEATURES

- Used for Ammeter, Wattmeter, Submetering, and Energy Management Applications.
- Frequency 50 – 400 HZ. Insulation Class 0.6 KV BIL 10 KV.
- Molded thermoplastic housing rated 94 V-0.
- Conforms to ANSI C57.13 and applicable IEC standards.
- Secondary is available with 10VAC, and 5VAC rating.
- Termination is 8–32 Studs.
- Available as U.L. Recognized Component File E100575, contact factory for information.
- Other primary current ratings, up to 1500A, are available upon request.

PART NUMBER	RATIO	ANSI ACCURACY CLASS @ 60HZ					RELAY CLASS	BURDEN AT ± 1% ACC (VA)	NOMINAL SECONDARY WINDING RESISTANCE (OHMS)
		B0.1	B0.2	B0.5	B0.9	B1.8			
L2562--100--00	100:5A	2.4	—	—	—	—	—	2.0	0.028
L2562--150--00	150:5A	1.2	2.4	—	—	—	—	3.0	0.042
L2562--200--00	200:5A	0.6	1.2	2.4	—	—	—	5.0	0.048
L2562--250--00	250:5A	0.6	1.2	2.4	—	—	—	7.5	0.059
L2562--300--00	300:5A	0.3	0.6	1.2	2.4	—	—	12.5	0.071
L2562--400--00	400:5A	0.3	0.3	0.6	1.2	—	—	22	0.095
L2562--500--00	500:5A	0.3	0.3	0.6	1.2	—	C12	35	0.12
L2562--600--00	600:5A	0.3	0.3	0.6	0.6	—	C15	40	0.14
L2562--750--00	750:5A	0.3	0.3	0.3	0.6	—	C15	40	0.16
L2562--800--00	800:5A	0.3	0.3	0.6	0.6	—	C15	40	0.19
L2562--1000--00	1000:5A	0.3	0.3	0.3	0.3	0.6	C18	50	0.21
L2562--1200--00	1200:5A	0.3	0.3	0.3	0.3	0.6	C25	60	0.33
L2562--1500--00	1500:5A	0.3	0.3	0.3	0.3	0.3	C30	80	0.41



NOTE: ALL DIMENSIONS IN INCHES

1/18/94