

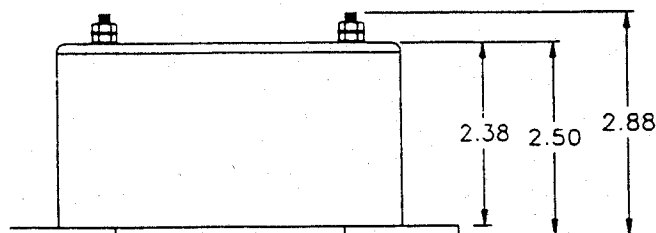
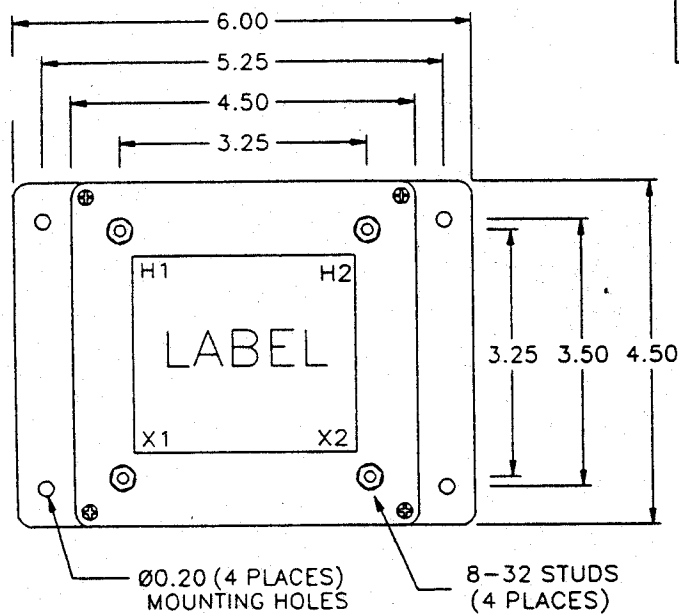
MODEL L2660

1PH POTENTIAL TRANSFORMER

FEATURES

- Thermal Rating 75 VA @ 30°C Ambient
50 VA @ 55°C Ambient
- Accuracy +/- .6% at 7.5 VA, 60HZ
- Conforms to ANSI C57.13 and applicable IEC standards.
- Insulation Class 0.6 KV BIL 10KV
- Other voltages and ratios available, contact factory for information.
- Durable and Cost Effective ABS Housing, UL rated 94-V0

PART NUMBER	VOLTAGE RATING	FREQUENCY	RATIO
L 2660-01	208:120V	60HZ	1.73:1
L 2660-02	240:120V	60HZ	2:1
L 2660-03	380:120V	50/60HZ	3.17:1
L 2660-04	480:120V	60HZ	4:1
L 2660-05	600:120V	60HZ	5:1
L 2660-06	277:120V	60HZ	2.31:1
L 2660-07	120:120V	60HZ	1:1



NOTE: ALL DIMENSIONS IN INCHES

75 VA