

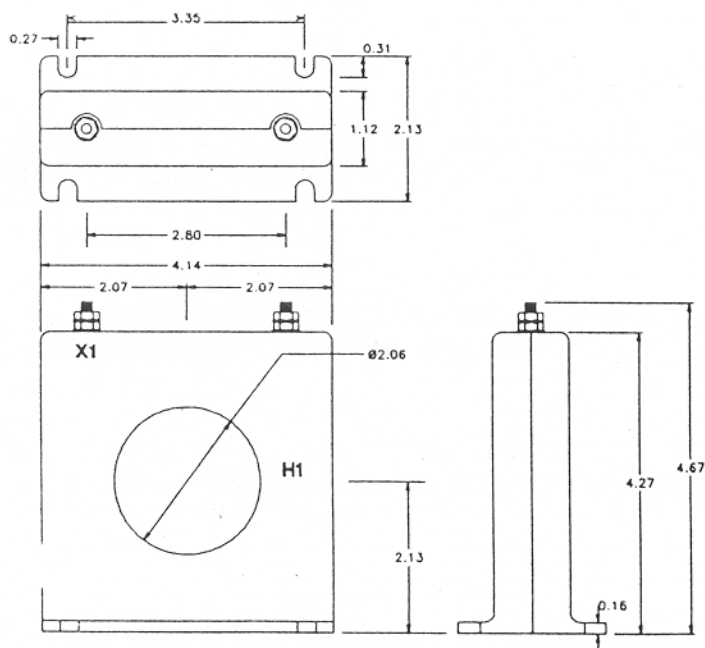
MODEL L2743 CURRENT TRANSFORMER

2.06" ID

FEATURES

- Used for Ammeter, Wattmeter, and Energy Management Applications.
- Frequency 50 – 400 HZ. Insulation Class 0.6 KV BIL 10 KV.
- Molded thermoplastic housing rated 94 V-0.
- Conforms to ANSI C57.13 and applicable IEC standards.
- Secondary is available with 10VAC, and 5VAC rating.
- Termination is 8–32 Studs.
- Available as U.L. Recognized Component File E100575, contact factory for information.
- Other primary current ratings, up to 1500A, are available upon request.

PART NUMBER	RATIO	ACCURACY @ 60HZ		NOMINAL SECONDARY WINDING RESISTANCE (OHMS)
		± %	BURDEN (VA)	
L2743-050-00	50:5A	3	0.5	.009
L2743-075-00	75:5A	1	0.5	.013
L2743-100-00	100:5A	1	1.0	.018
L2743-150-00	150:5A	1	2.5	.027
L2743-200-00	200:5A	1	4.0	.037
L2743-250-00	250:5A	1	6.0	.047
L2743-300-00	300:5A	1	7.5	.056
L2743-400-00	400:5A	1	10	.074
L2743-500-00	500:5A	1	12	.092
L2743-600-00	600:5A	1	12	.12
L2743-800-00	800:5A	1	15	.15
L2743-1000-00	1000:5A	1	20	.21
L2743-1200-00	1200:5A	1	25	.25
L2743-1500-00	1500:5A	1	35	.30



NOTE: ALL DIMENSIONS IN INCHES

1/18/94