

# MODEL L2A CURRENT TRANSFORMER

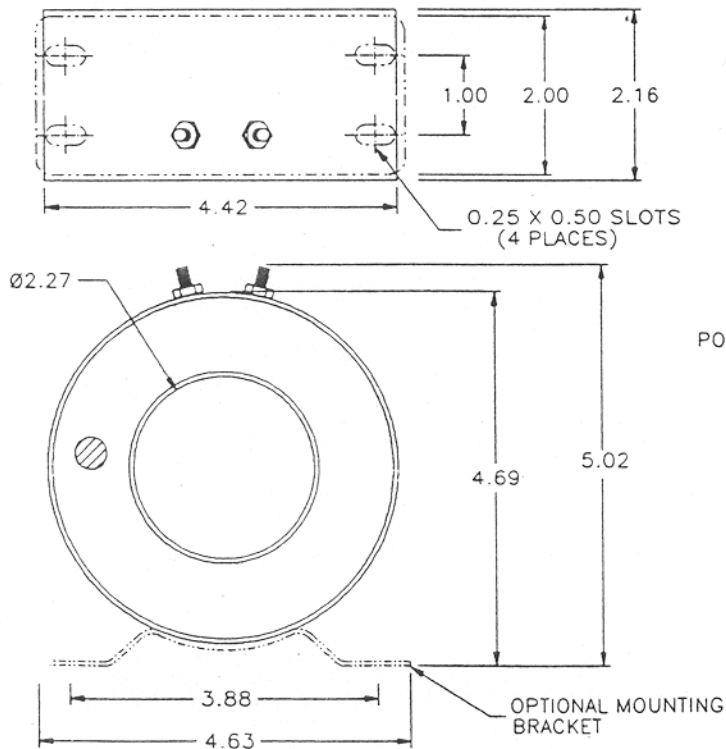
2.25" ID

## FEATURES .....

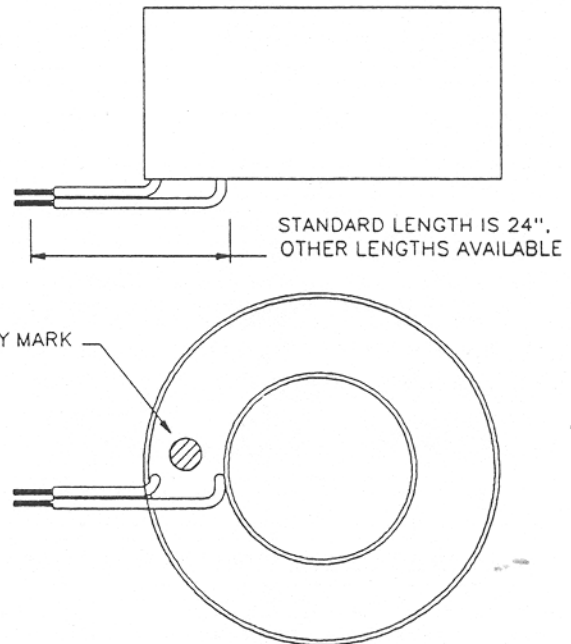
- Conforms to ANSI C57.13 and applicable IEC standards.
- Frequency 50/60 HZ. Insulation Class 0.6 KV BIL 10 KV.
- Molded thermoplastic housing. Optional mounting brackets available.
- Thermal Rating Factor is 1.33 @ 30C.
- Secondary is available with 5A, 1A, 0.1A, 10VAC, and 5VAC rating.
- Choice of either 8-32 Screw Terminals or 16 AWG Lead Wires.
- Available as U.L. Recognized Component File E100575, contact factory for information.
- Other primary current ratings, up to 1500A, are available upon request.
- Both Intermediate Ratio and Center Taps are optionally available.

PART NUMBER	RATIO	ACCURACY @ 60HZ		NOMINAL SECONDARY WINDING RESISTANCE (OHMS)
		+/- %	BURDEN (VA)	
L2A--150--00	150:5A	1	1.5	.050
L2A--200--00	200:5A	1	3.5	.073
L2A--250--00	250:5A	1	5.0	.10
L2A--300--00	300:5A	1	7.5	.13
L2A--400--00	400:5A	1	15	.18
L2A--500--00	500:5A	1	20	.24
L2A--600--00	600:5A	1	30	.30
L2A--750--00	750:5A	1	45	.40
L2A--800--00	800:5A	1	50	.56
L2A--1000--00	1000:5A	1	75	.73
L2A--1200--00	1200:5A	1	90	.94
L2A--1500--00	1500:5A	1	125	1.44

TERMINAL OPTION



LEAD WIRE OPTION



NOTE: ALL DIMENSIONS IN INCHES

1/15/84