

CURRENT TRANSFORMER

MODEL L2AAX

APPLICATION : Metering, Submetering, and Energy Management, Programmable Controllers, A to D converters, Digital Meters.

FREQUENCY : 50 to 400 HZ

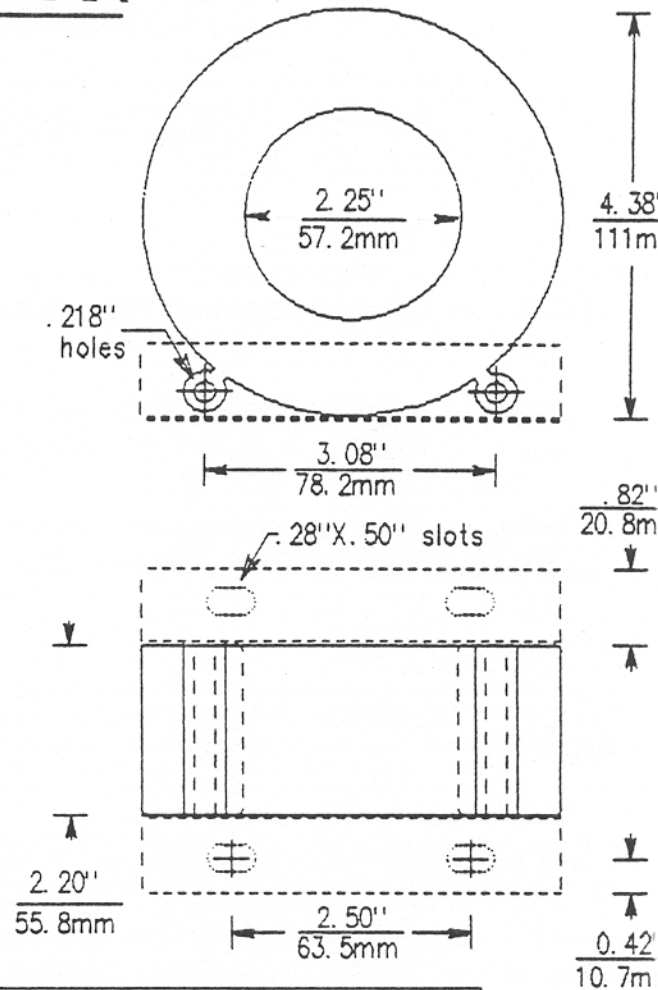
INSULATION CLASS : .6 KV BIL. 10 KV

RATIO AVAILABLE;

PRIMARY : up to 1200 A

SECONDARY : 5 A, 1 A,

- Meets or exceeds UL 1244, ANSI C-57.13 & IEC Standards.
- Case is fiberglass reinforced resin, 115 °C.
- Terminals are brass studs 8-32 UNC provided with flat washer and hex nut.
- Leads are 16 AWG, 24" LONG, 105 ° C, UL and CSA approved, (Optional).
- Leads can be any length.
- Mounting bracket kit, P/N B12, or 2 bracket kit, P/N B36, (optional).
- Taps at any intermediate ratio can be provided.



PART NUMBER	RATIO	BURDEN ⊙ ± 1%	ANSI METERING CLASS 60 Hz ⊙			
			B-0.1	B-0.2	B-0.5	B-1.0
L2AA-0100X	100:5	4 VA	2.4	4.8	—	—
L2AA-0150X	150:5	10 VA	1.2	2.4	4.8	—
L2AA-0200X	200:5	19 VA	1.2	1.2	2.4	4.8
L2AA-0250X	250:5	29 VA	0.6	1.2	1.2	2.4
L2AA-0300X	300:5	37 VA	0.6	0.6	1.2	2.4
L2AA-0400X	400:5	50 VA	0.3	0.6	0.6	1.2
L2AA-0500X	500:5	67 VA	0.3	0.3	0.6	1.2
L2AA-0600X	600:5	85 VA	0.3	0.3	0.6	0.6
L2AA-0750X	750:5	110 VA	0.3	0.3	0.3	0.6
L2AA-0800X	800:5	118 VA	0.3	0.3	0.3	0.3
L2AA-1000X	1000:5	150 VA	0.3	0.3	0.3	0.3
L2AA-1200X	1200:5	185 VA	0.3	0.3	0.3	0.3