

# MODEL L2D

# CURRENT TRANSFORMER

1.50" ID

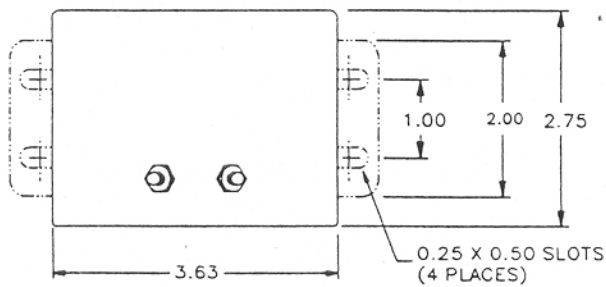
## FEATURES .....

- Used for Ammeter, Wattmeter, Submetering, applications.
- Frequency 50/60 HZ. Insulation Class 0.6 KV BIL 10 KV.
- Molded thermoplastic housing. Optional mounting brackets available.
- Conforms to ANSI C57.13 and applicable IEC standards.
- Secondary is available with 5A, 1A, 0.1A, 10VAC, and 5VAC rating.
- Choice of either 8–32 Screw Terminals or 16 AWG Lead Wires.
- Available as U.L. Recognized Component File E100575, contact factory for information.
- Other primary current ratings, up to 800A, are available upon request.

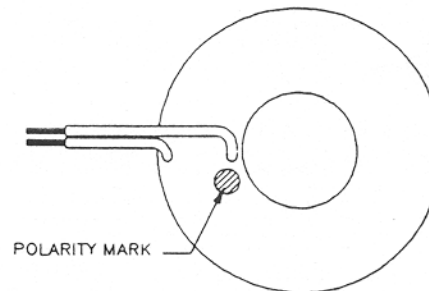
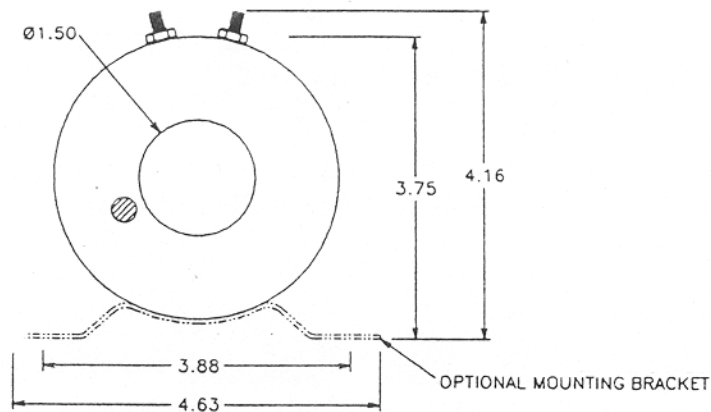
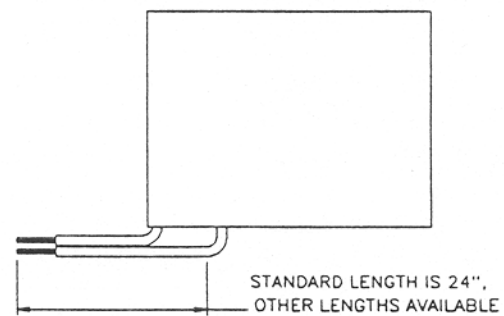
PART NUMBER	RATIO	ACCURACY @ 60HZ		NOMINAL SECONDARY WINDING RESISTANCE (OHMS)
		+/- %	BURDEN (VA)	
L2D--50--00 *	50:5A	2.0	1.0	.026
L2D--75--00	75:5A	2.0	1.0	.039
L2D--100--00	100:5A	1.0	1.5	.052
L2D--150--00	150:5A	1.0	1.5	.078
L2D--200--00	200:5A	1.0	3.5	.11
L2D--250--00	250:5A	1.0	6.5	.13
L2D--300--00	300:5A	1.0	10	.16
L2D--400--00	400:5A	1.0	20	.21
L2D--500--00	500:5A	1.0	30	.26
L2D--600--00	600:5A	1.0	40	.32
L2D--750--00	750:5A	1.0	65	.43
L2D--800--00	800:5A	1.0	70	.46

• REQUIRES 2 PRIMARY TURNS TO OBTAIN LISTED RATIO AND ACCURACY

### TERMINAL OPTION



### LEAD WIRE OPTION



NOTE: ALL DIMENSIONS IN INCHES