

MODEL L3SP

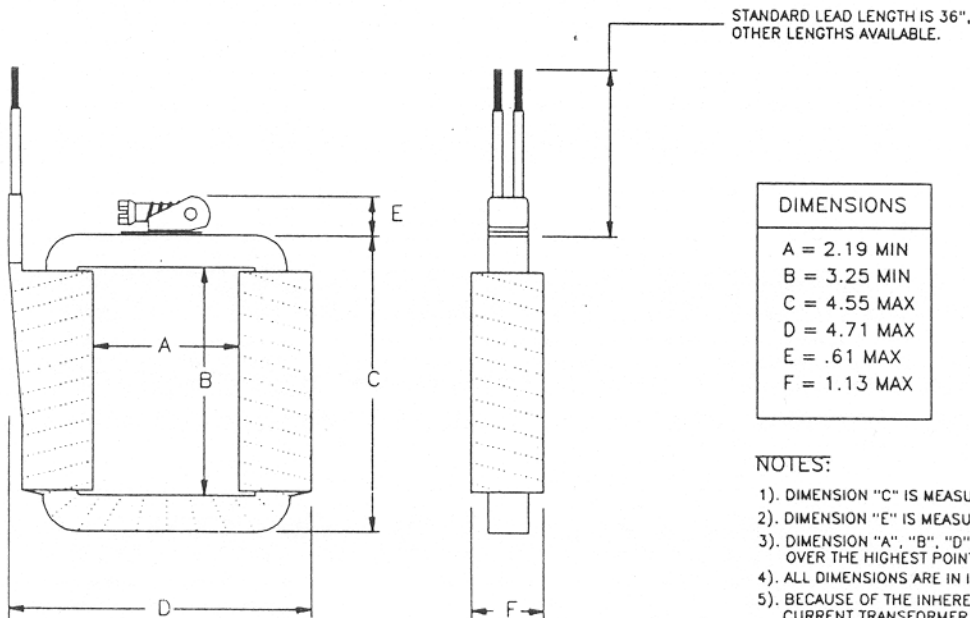
SPLIT CORE CURRENT TRANSFORMER

2.19" X 3.25"

FEATURES

- CT can be split apart and reassembled onto the primary conductor without interrupting service. Note: Safety Precautions must be observed.
- Frequency range is 50 – 400 HZ. Insulation Class is .6 KV BIL 10 KV.
- Secondary is available with 1A rating.
- Leads are 16 AWG UL 1015 PVC, 105C
- Other primary current ratings, up to 1200A are available. Contact factory.
- Thermal Rating Factor is 1.33 @ 30C for Ratios through 800:5A, and 1.00 for Ratios above 800:5A.
- Mounting bracket assemblies available. Contact factory.

PART NUMBER	RATIO	ACCURACY @ 60HZ (see NOTE 5 below)		NOMINAL SECONDARY WINDING RESISTANCE (OHMS)	NOMINAL RELAY ACCURACY AT 20X OVERCURRENT
		+/- %	BURDEN (VA)		
L3SP--100--00	100:5A	2	.8	.04	-
L3SP--150--00	150:5A	1	.8	.06	-
L3SP--200--00	200:5A	1	1.5	.08	-
L3SP--250--00	250:5A	1	2.5	.10	-
L3SP--300--00	300:5A	1	3.0	.12	-
L3SP--400--00	400:5A	1	4.0	.17	-
L3SP--500--00	500:5A	1	5.0	.22	-
L3SP--600--00	600:5A	1	7.5	.28	-
L3SP--800--00	800:5A	1	10	.40	C10
L3SP--1000--00	1000:5A	1	10	.60	C10
L3SP--1200--00	1200:5A	1	12	.71	C15



DIMENSIONS
A = 2.19 MIN
B = 3.25 MIN
C = 4.55 MAX
D = 4.71 MAX
E = .61 MAX
F = 1.13 MAX

NOTES:

- 1). DIMENSION "C" IS MEASURED OVER THE BAND.
- 2). DIMENSION "E" IS MEASURED FROM THE TOP OF THE BAND.
- 3). DIMENSION "A", "B", "D", AND "F" ARE MEASURED OVER THE HIGHEST POINT OF THE APPROPRIATE SURFACE.
- 4). ALL DIMENSIONS ARE IN INCHES.
- 5). BECAUSE OF THE INHERENT DESIGN OF THIS TYPE OF CURRENT TRANSFORMER, ACCURACY IS DEFINED PRIMARILY BY THE CARE WITH WHICH THE USER INSTALLS THE DEVICE. IT IS IMPERATIVE THAT ABSOLUTE CLEANLINESS OF THE CORE MATING SURFACES BE MAINTAINED DURING INSTALLATION. ACCURACY LISTED IS GUARANTEED AT TIME OF SHIPMENT AND WITH PROPER INSTALLATION SHOULD BE REALIZABLE IN THE FIELD.