

MODEL L634

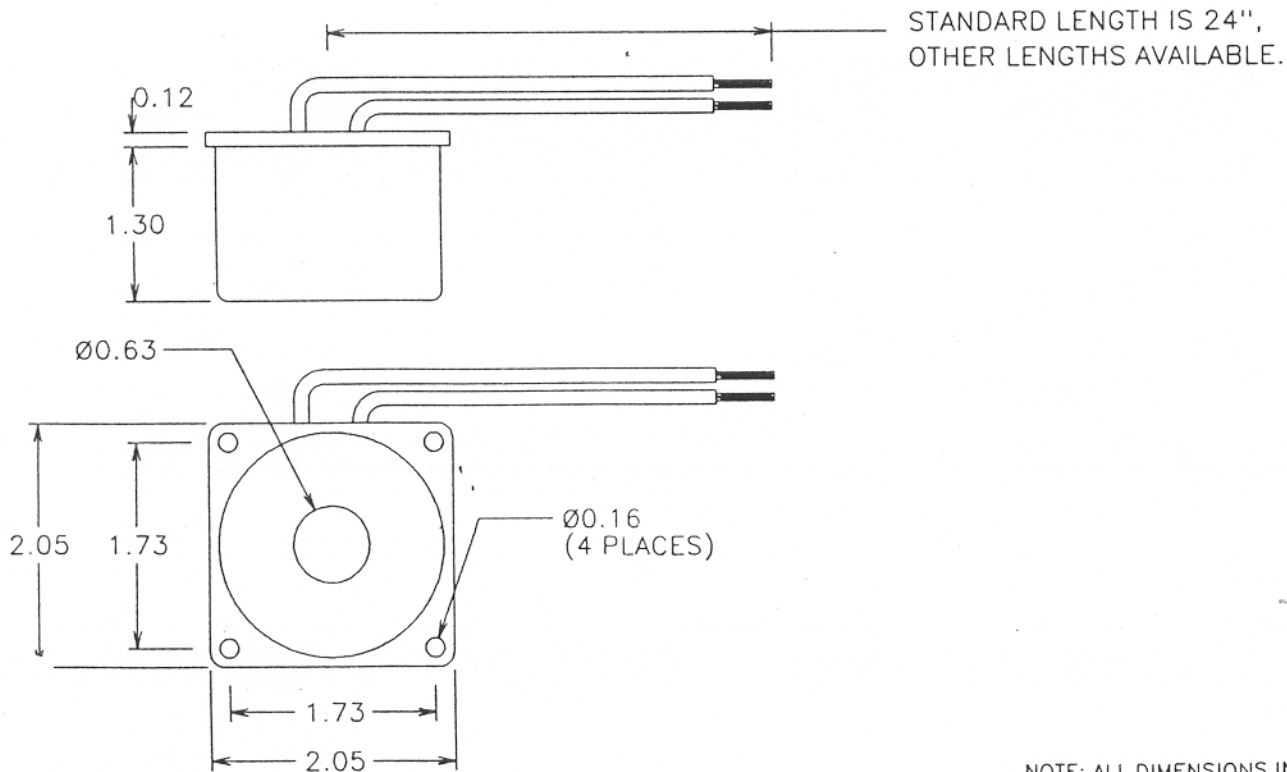
CURRENT TRANSFORMER

0.63 ID

FEATURES

- Used for Ammeter, Wattmeter, Submetering, and other Electronic Applications.
- Frequency 50 to 400 HZ.
Insulation Class 0.6 KV BIL 10 KV.
- Molded thermoplastic housing.
- A 10VAC Internal Voltage Limiter is an option.
- Secondary is also available with 5A, 1A, 0.1A, 10VAC or 5VAC rating.
- Lead wires are 18 AWG UL 1015, standard length is 24".
- Available as U.L. Recognized Component File E100575, contact factory for information.
- Other primary current ratings, up to 250A, are available upon request.

PART NUMBER	RATIO	ACCURACY @ 60HZ		NOMINAL SECONDARY WINDING RESISTANCE (OHMS)
		+/- %	BURDEN (VA)	
L 634-050-01	50:1A	2.0	1.0	.23
L 634-060-01	60:1A	1.0	1.0	.28
L 634-075-01	75:1A	1.0	1.5	.35
L 634-100-01	100:1A	1.0	2.0	.46
L 634-125-01	125:1A	1.0	3.5	.60
L 634-150-01	150:1A	1.0	5.0	.72
L 634-200-01	200:1A	1.0	7.5	1.2
L 634-250-01	250:1A	1.0	10	1.4



NOTE: ALL DIMENSIONS IN INCHES

4/6/84